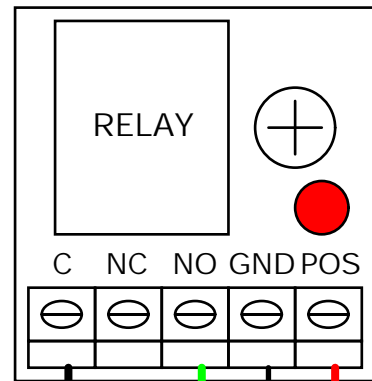


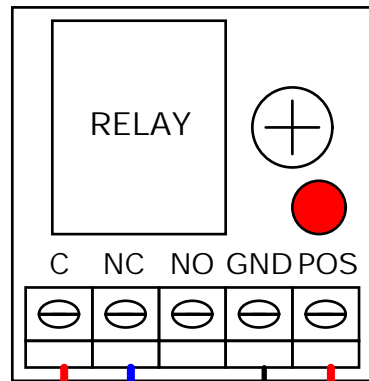
EXAMPLE 2

COMMON (BATT -)
N/OPEN
RELAY OUT (- OUT)
OPEN COLLECTOR 3

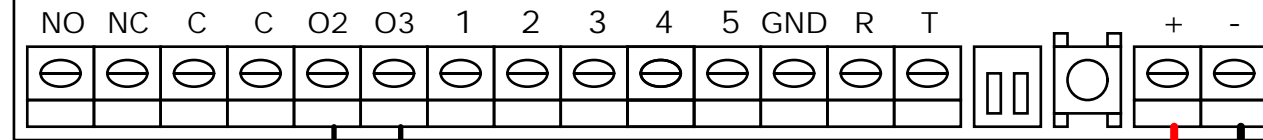


EXAMPLE 1

COMMON (BATT +)
N/CLOSE
RELAY OUT (+ OUT)
OPEN COLLECTOR 2



EASYP LAB SOLUTIONS



TITLE: EasyLab to Open Collectors		REV: 1.0
Company: EasyLab Solutions		Sheet: 1/1
Date: 2021-01-22		Drawn By: